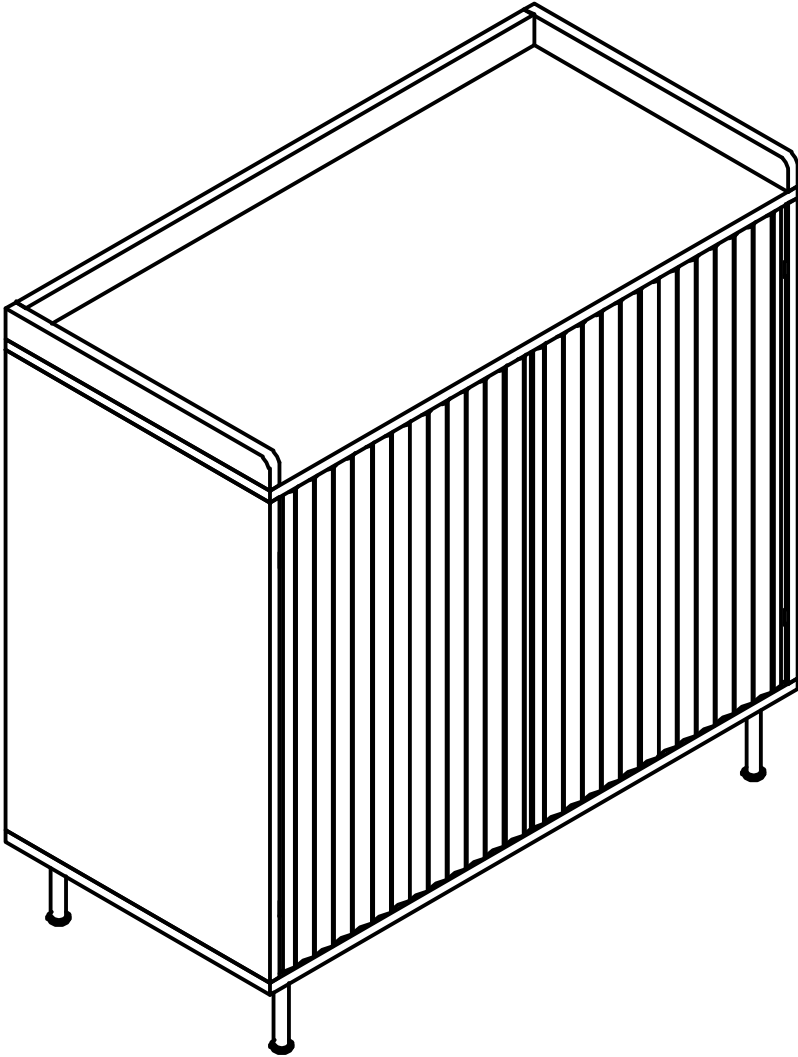
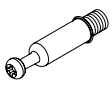

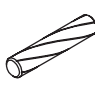
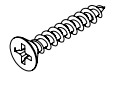
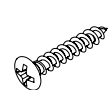
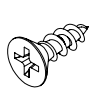
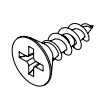
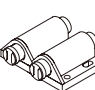
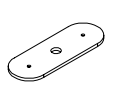
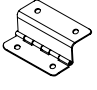
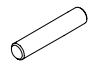
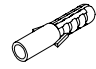




Sideboard

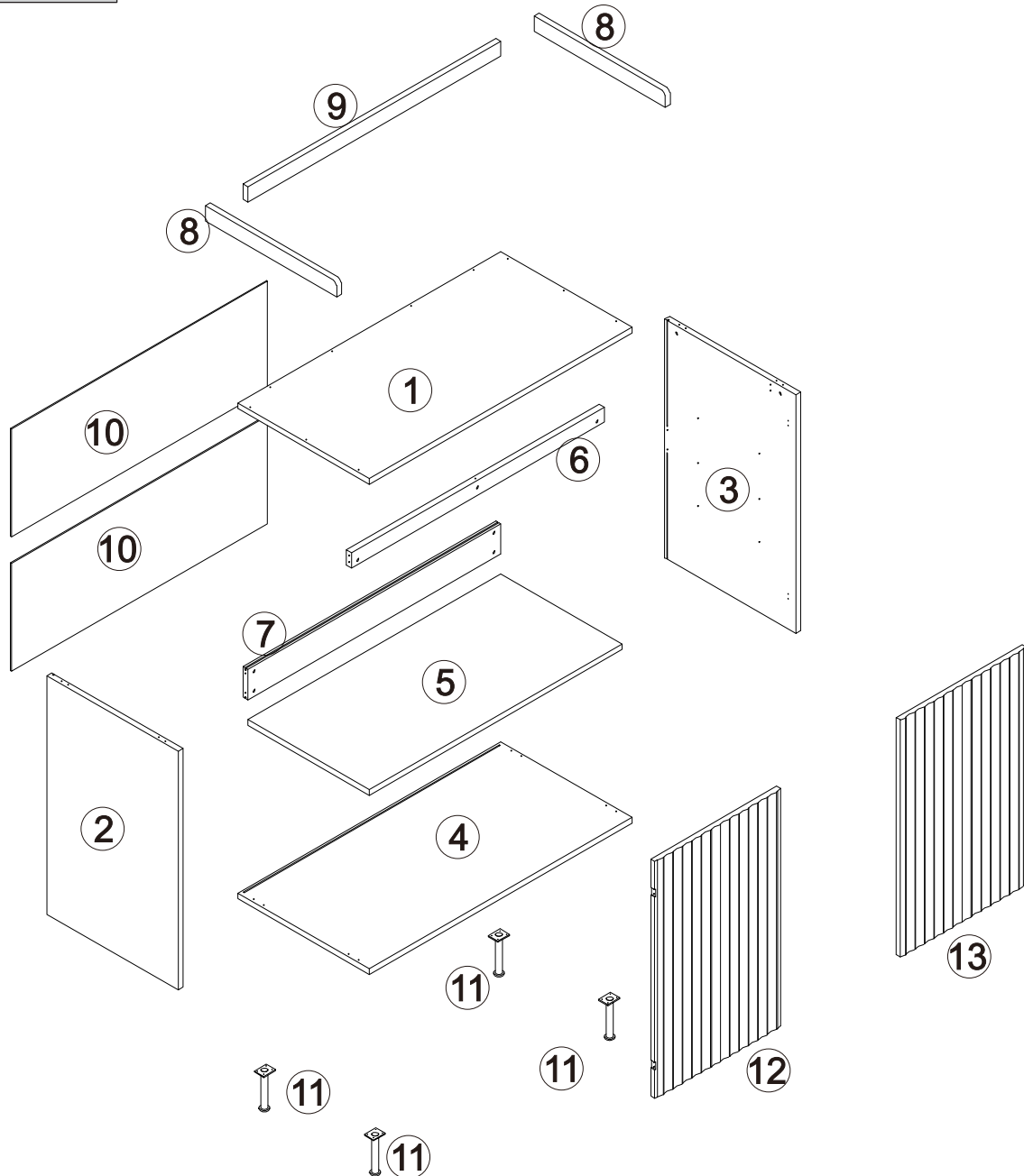


ASSEMBLY INSTRUCTION

HARDWARE LIST

A 11 PCS		B 11 PCS		C 10 PCS		D 15 PCS		E 17 PCS	
F 18 PCS		G 2 PCS		H 1 PC		I 2 PCS		J 4 PCS	
K 4 PCS		L 1 PC		M 1 PC		N 2 PCS			

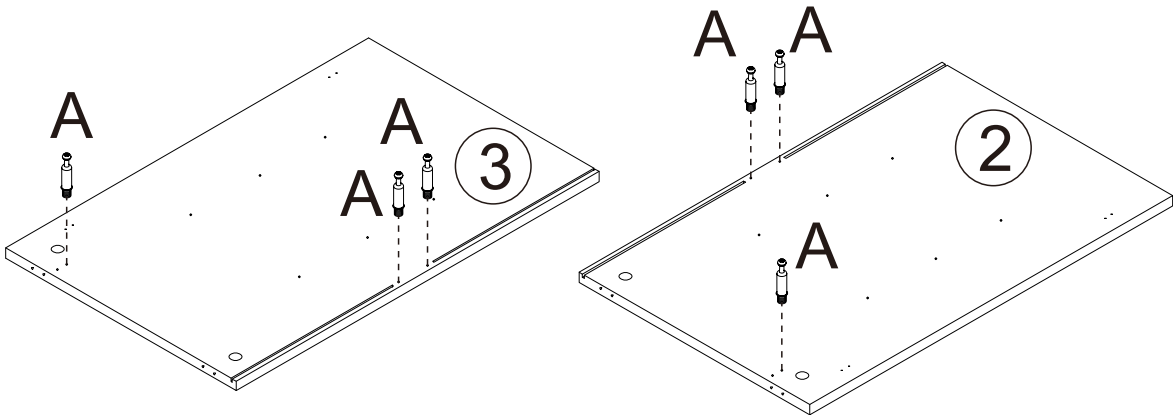
PARTS LIST



ASSEMBLY STEPS

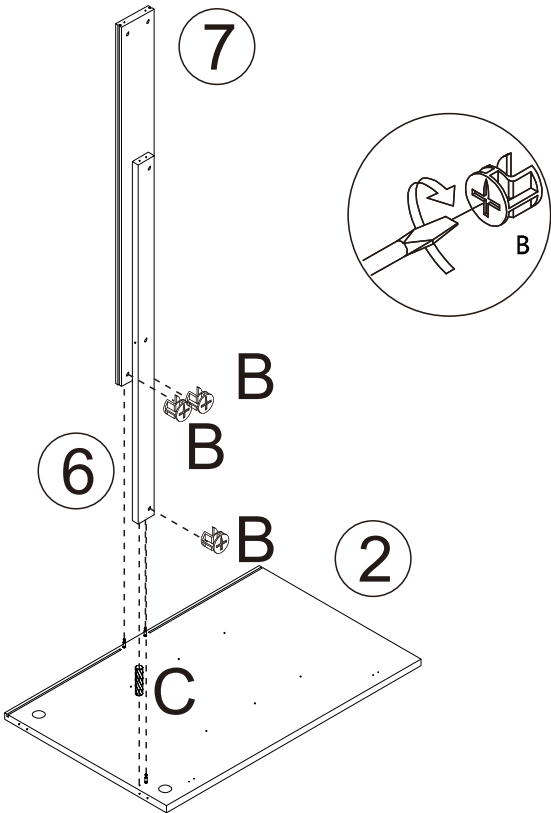
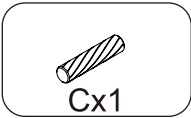
STEP 1.

Insert quickfit screws (A) into parts 2 and 3, as shown.



STEP 2.

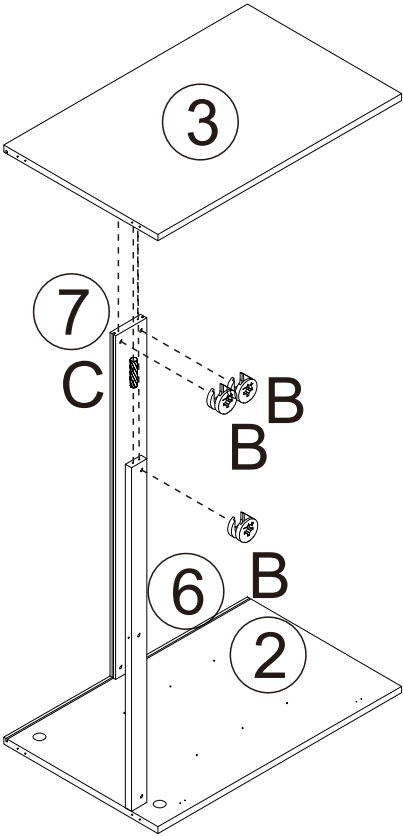
Insert wooden dowel (C) into part 2.
Insert cam locks (B) into parts 6 and 7 and attach to part 2,
as shown.
Turn cam locks clockwise to tighten.



ASSEMBLY STEPS

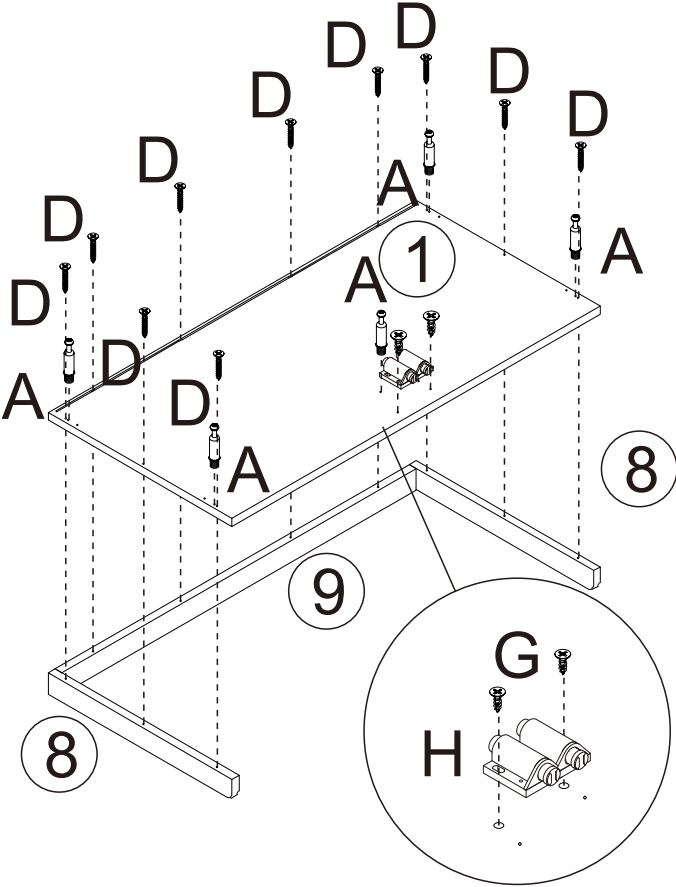
STEP 3.

Insert wooden dowel (C) into part 6.
Insert cam locks (B) into parts 6 and 7 and attach to part 3,
as shown.
Turn cam locks clockwise to tighten.



STEP 4.

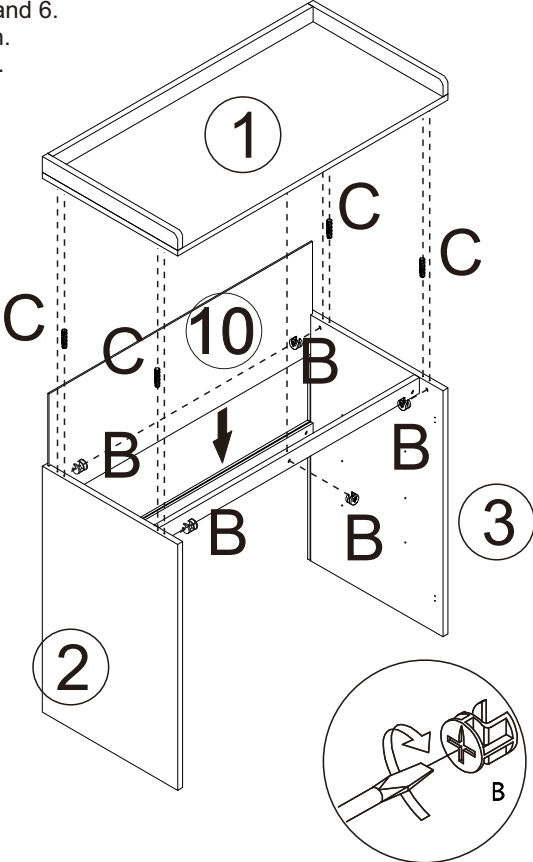
Insert quickfit screws (A) into part 1. Fix hardware (H) to part 1 using screws (G), as shown.
Fix parts 8 and 9 to part 1 using screws (D), as shown.



ASSEMBLY STEPS

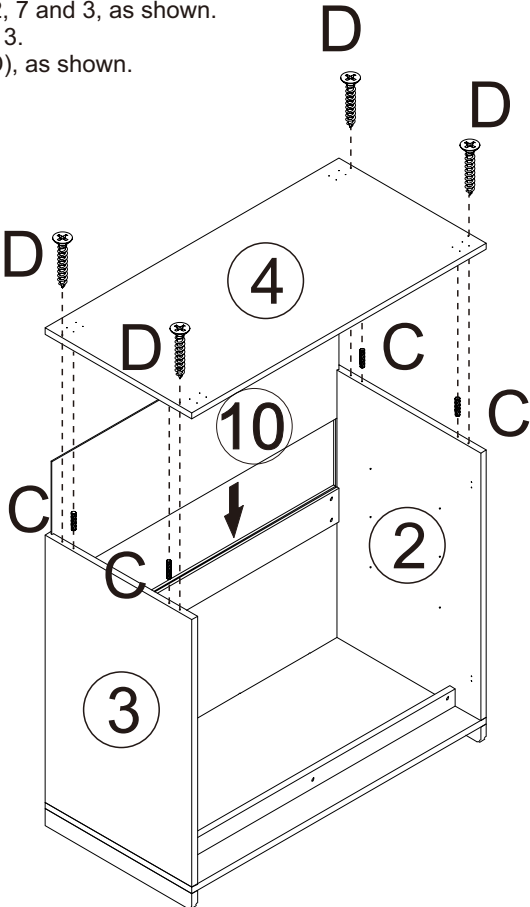
STEP 5.

Slide part 10 into grooves between parts 2, 7 and 3, as shown.
Insert wooden dowels (C) into parts 2 and 3.
Insert cam locks (B) into parts 2, 3 and 6.
Fit part 1 to parts 2 and 3, as shown.
Turn cam locks clockwise to tighten.



STEP 6.

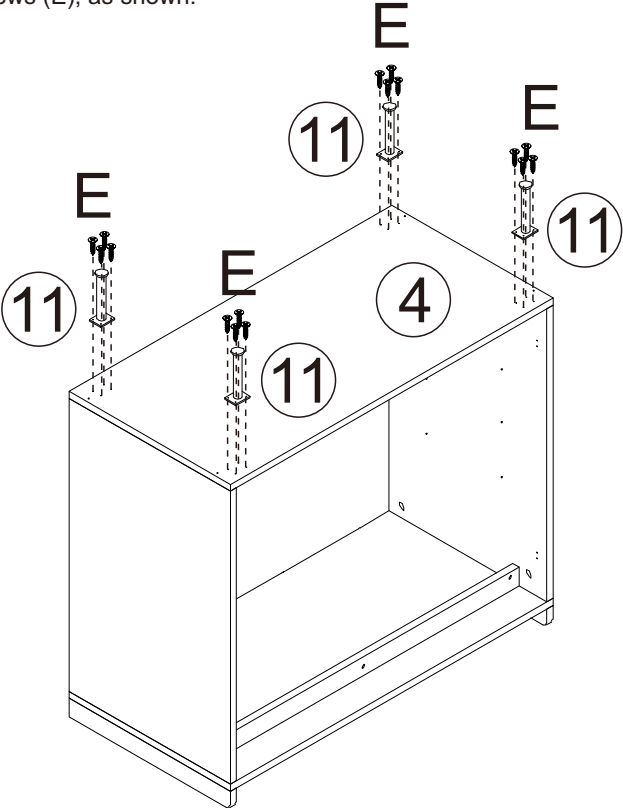
Slide part 10 into grooves between parts 2, 7 and 3, as shown.
Insert wooden dowels (C) into parts 2 and 3.
Fix part 4 to parts 2 and 3 using screws (D), as shown.



ASSEMBLY STEPS

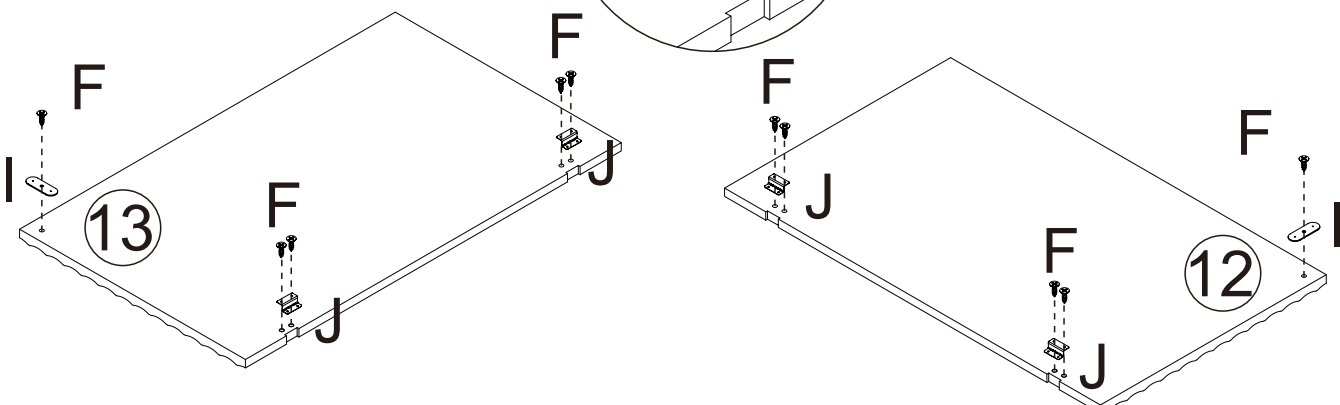
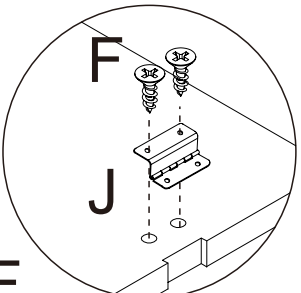
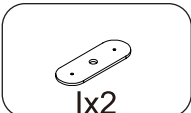
STEP 7.

Fix legs 11 to part 4 using screws (E), as shown.



STEP 8.

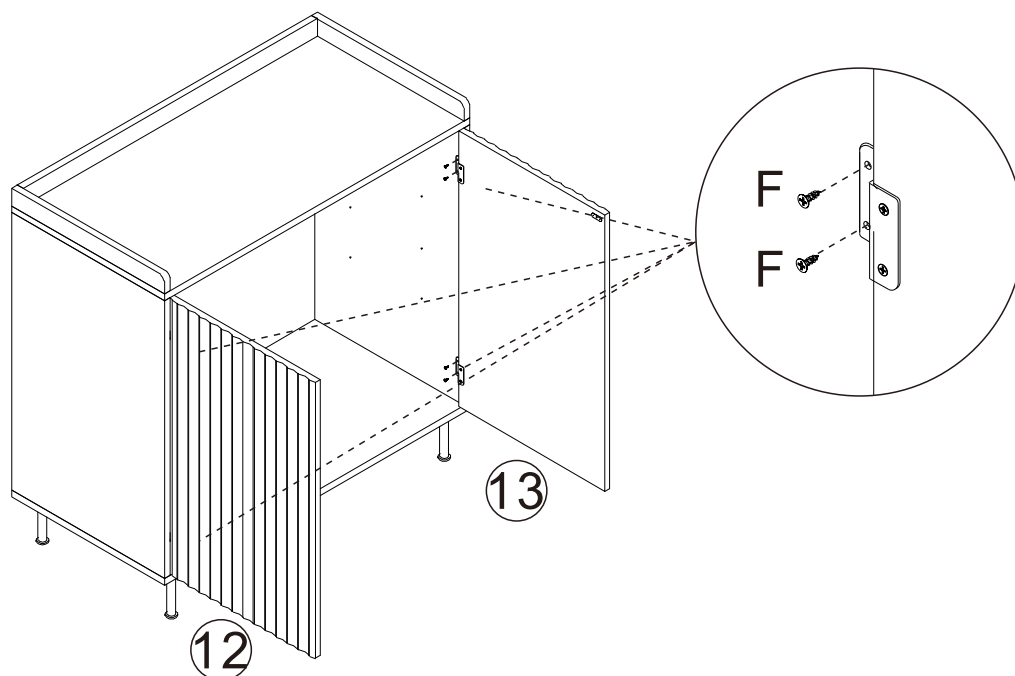
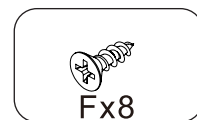
Fix hinges (J) and hardwares (I) to doors 12 and 13 using screws (F), as shown.



ASSEMBLY STEPS

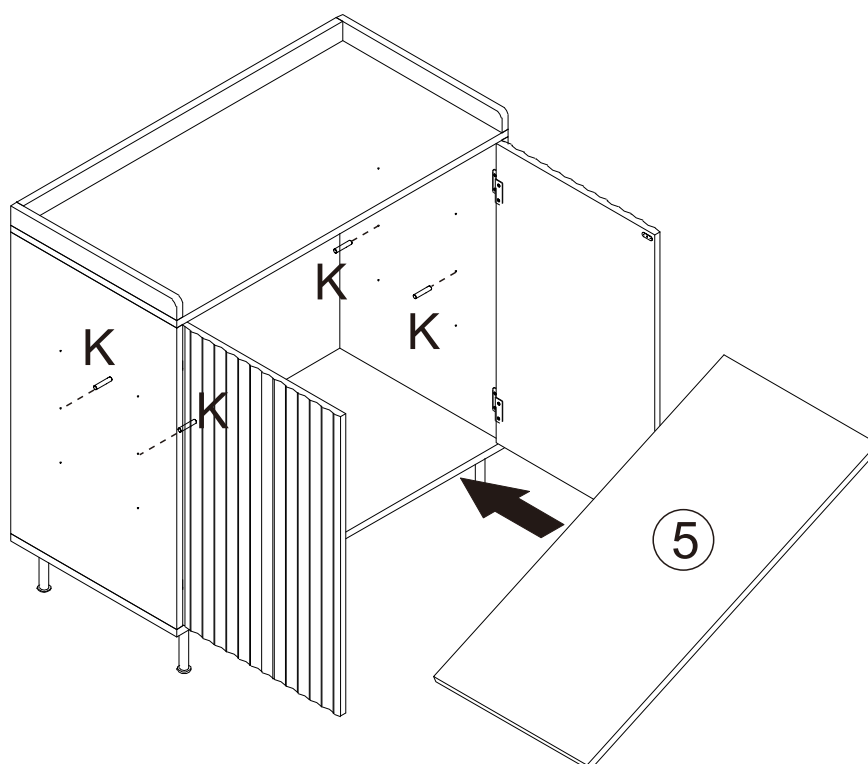
STEP 9.

Fix doors 12 and 13 to assembled unit using hinges and screws (F), as shown.



STEP 10.

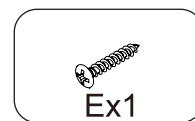
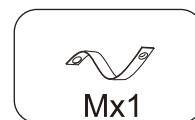
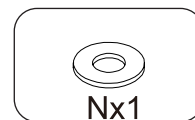
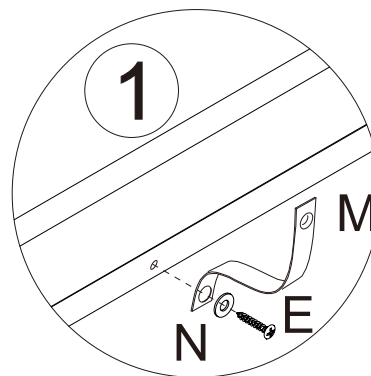
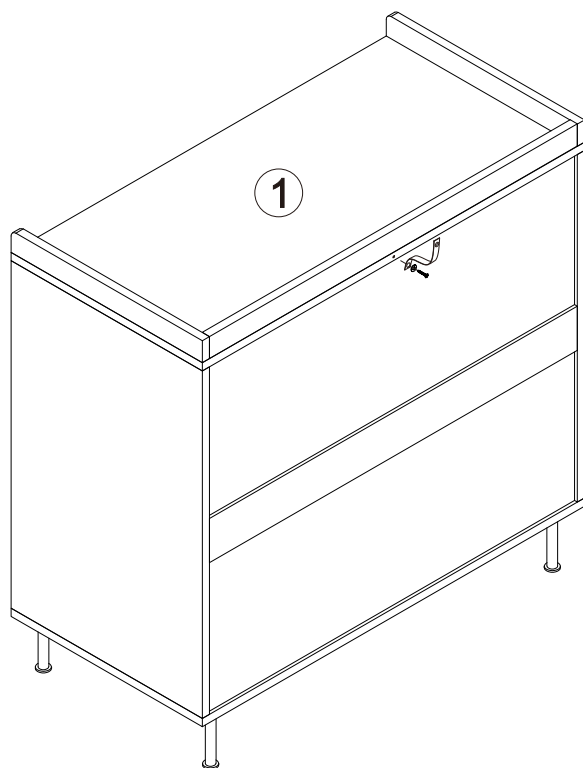
Fit shelf supporters (K) to the inside of parts 2 and 3, as shown.
Place part 5 on shelf supporters, as shown.



ASSEMBLY STEPS

STEP 11.

Fix wall strap (M) on to assembled unit using screw (E) and washer (N), as shown.



STEP 12.

For extra stability, it is recommended that you fix your sideboard to the wall using hardware (N, L and D), as shown. Screw (D) are fixed through washer (N) and wall strap and into the wall plugs (P). Should you choose not to affix the product to the wall, serious injury may be caused if the product tips over.

